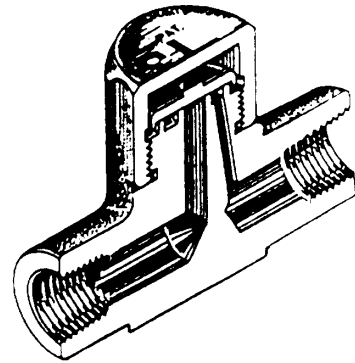


Ultra Mini Thermodynamic Disc Steam Trap

SL 3

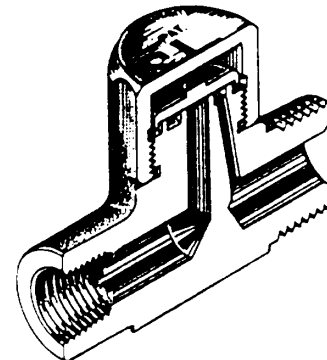
Features

1. Stainless steel body and stainless steel internals.
2. Very small and compact size.
3. Thermal insulation cover for energy conservation.
4. Inline repairability.
5. Can be installed in any position.
6. Especially designed for steam irons and for applications in the pharmaceutical industry, in laboratories and others.

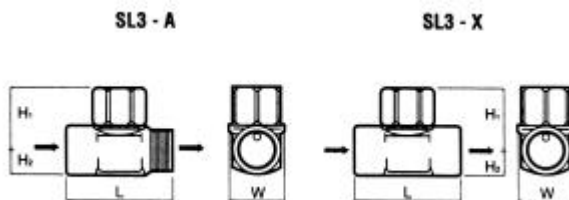


SL3 - X

Operating Conditions & Dimensions



SL3 - A

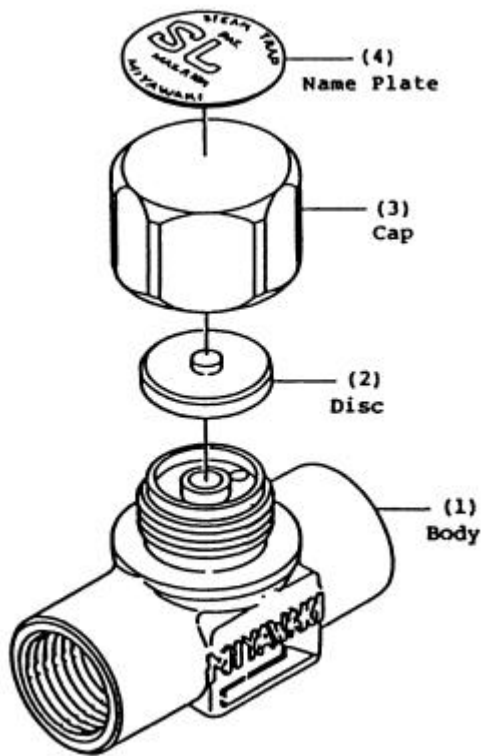


Model	Connection	Size	Operating Pressure Range		Max. Operating Temperature		Dimension mm (inch)				Weight	
			MPa	psig	°C	°F	L	H ₁	H ₂	W	kg	lb
SL 3 - A	screwed Rc, NPT	¼"	0,03	4.4	400	752	40 (1.6)	22 (0.9)	8 (0.3)	19 (0.7)	0,06	0.13
SL 3 - X		¼"	1,0	145								

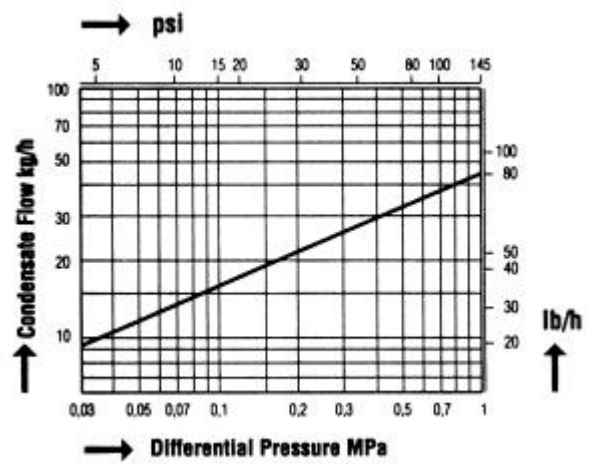
Ultra Mini Thermodynamic Disc Steam Trap

SL 3

Details



Capacity Chart



Materials

Parts-No.	Name	Material JIS/ASTM
1	Body	SUS 416
2	Disc	SUS 303
3	Cap	SUS 303